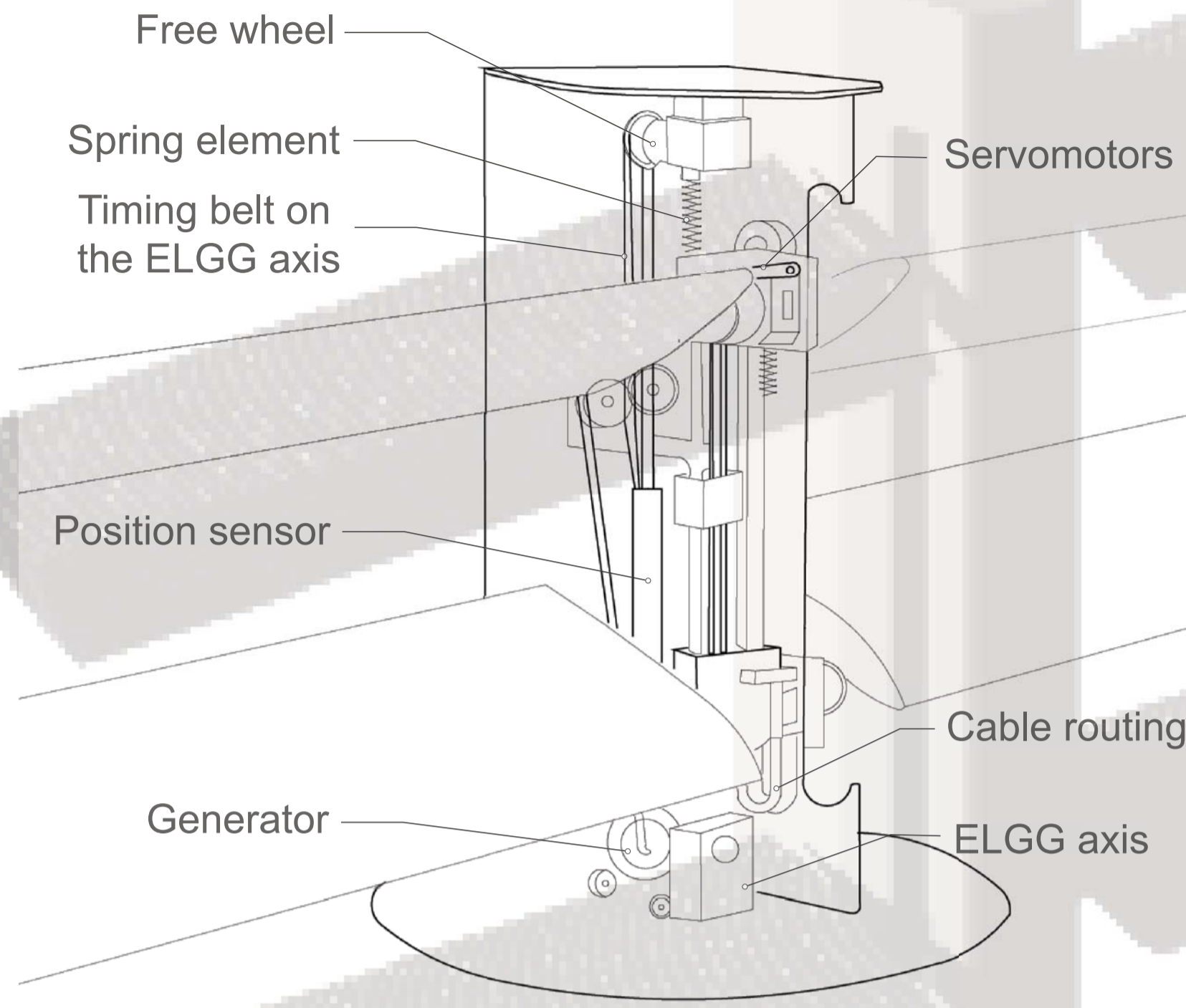
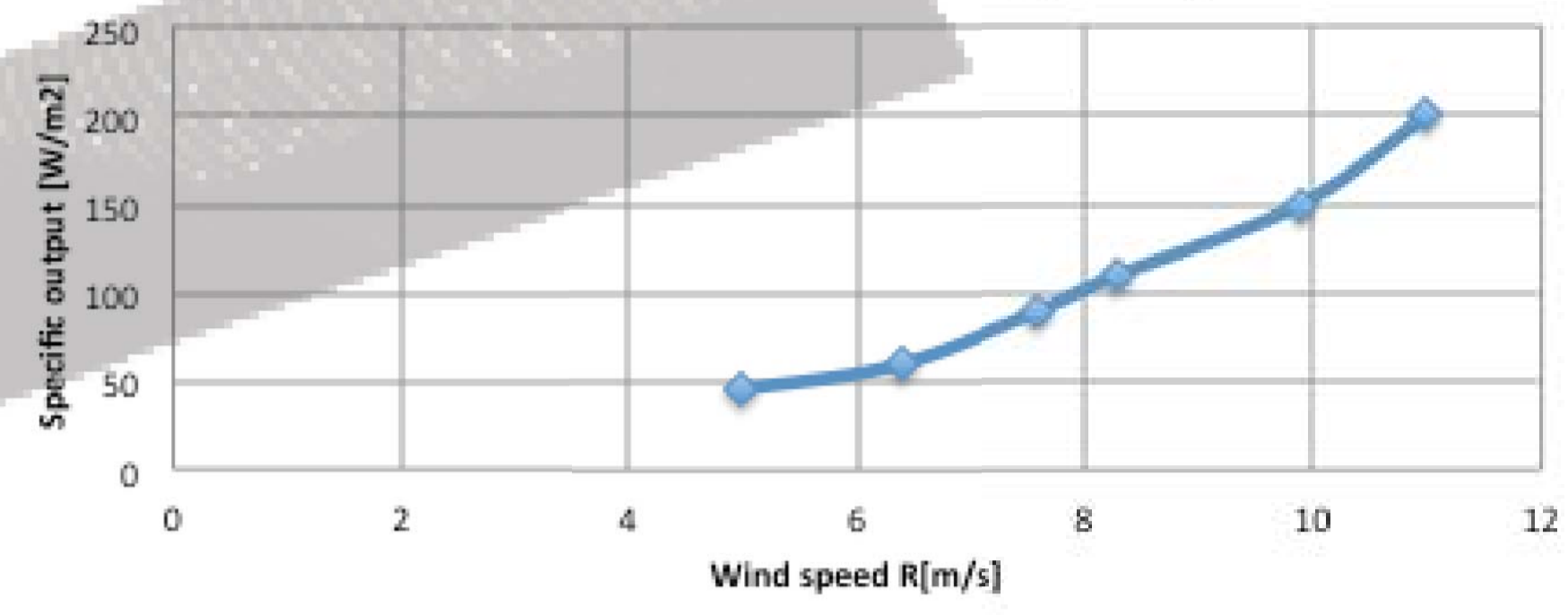


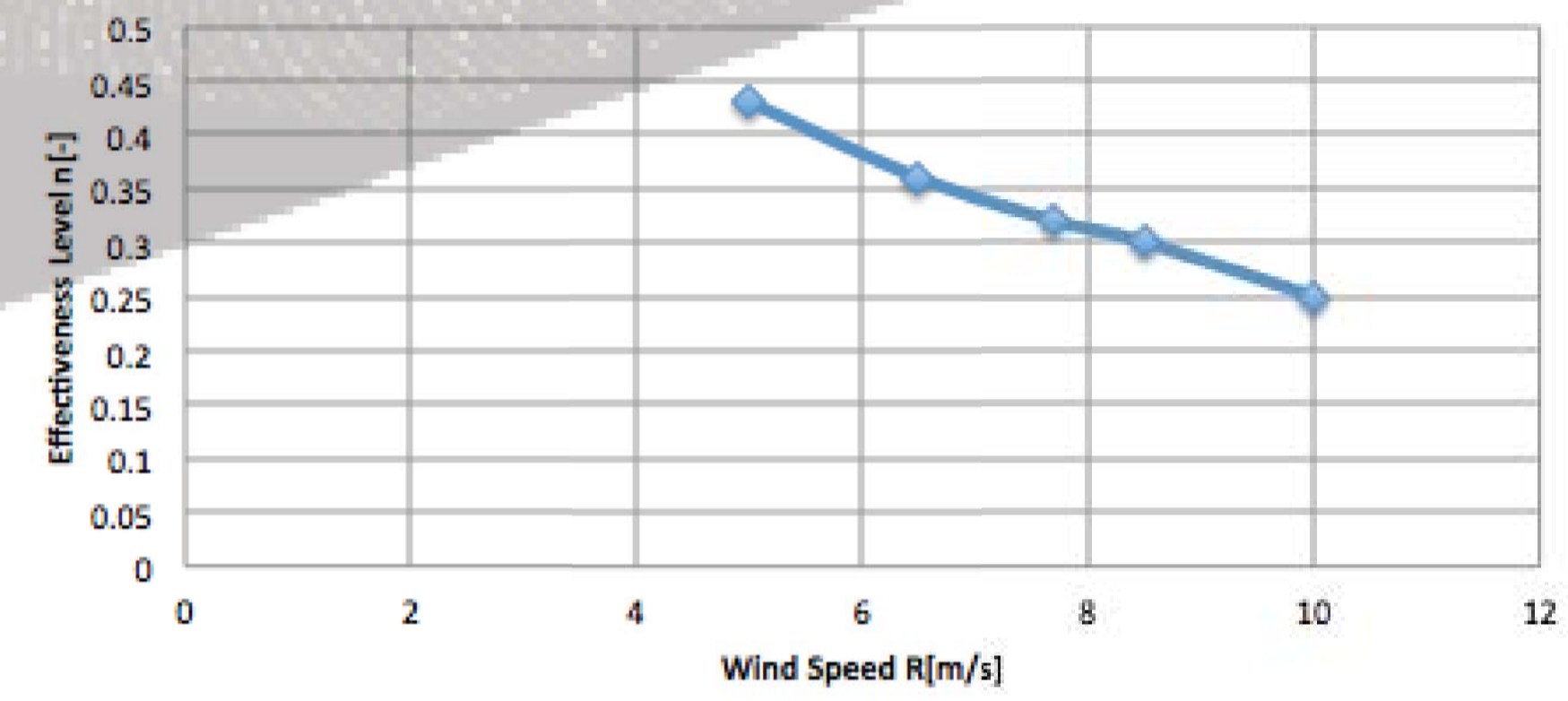
DUAL WING GENERATOR



Small Prototype Specific Energy Output



Effectiveness Level



SLEDDING HILL

